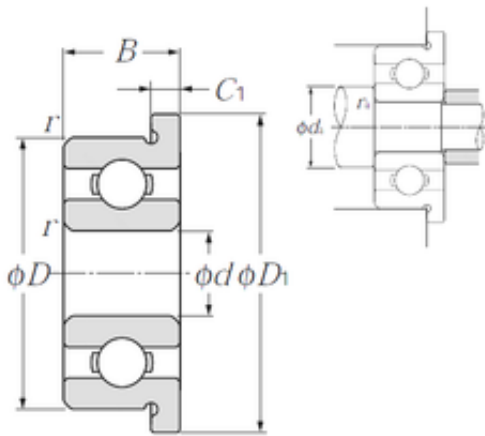


### FL625 NTN Deep Groove Ball Bearings



Bearing No. FL625

Size	5x18x5 mm
Bore Diameter	5 mm
Outer Diameter	18 mm
Width	5 mm
d	5 mm
D	16 mm
D1	18 mm
B	5 mm
r min.	0,3 mm
C1	1 mm
da min.	7 mm
da max	7,6 mm
Da max.	14 mm
ra max.	0,3 mm
Weight	5,2 Kg
Basic dynamic load rating (C)	1,76 kN
Basic static load rating (C0)	0,68 kN
(Grease) Lubrication Speed	37 000 r/min
(Oil) Lubrication Speed	44 000 r/min

FL625 Bearing 2D drawings and 3D CAD models