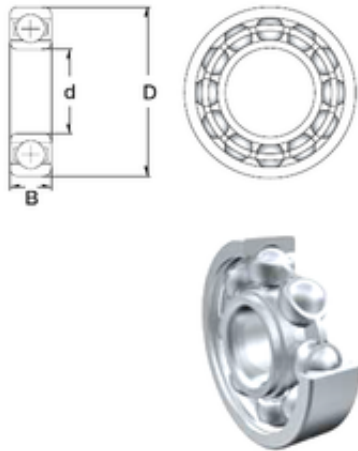




S696A-2RS ZEN Deep Groove Ball Bearings



Bearing No. S696A-2RS

Size	6x16x5 mm
Bore Diameter	6 mm
Outer Diameter	16 mm
Width	5 mm
d	6 mm
D	16 mm
B	5 mm
C	5 mm
Basic dynamic load rating (C)	1,34 kN
Basic static load rating (C0)	0,523 kN

S696A-2RS Bearing 2D drawings and 3D CAD models