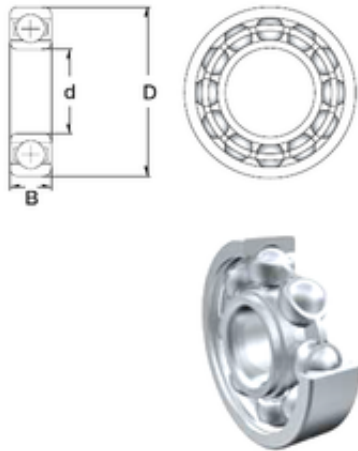


MR31 ZEN Deep Groove Ball Bearings



Bearing No. MR31

Size	1x3x1.5 mm
Bore Diameter	1 mm
Outer Diameter	3 mm
Width	1,5 mm
d	1 mm
D	3 mm
B	1,5 mm
C	1,5 mm
Basic dynamic load rating (C)	0,096 kN
Basic static load rating (C0)	0,026 kN
(Grease) Lubrication Speed	130000 r/min

MR31 Bearing 2D drawings and 3D CAD models